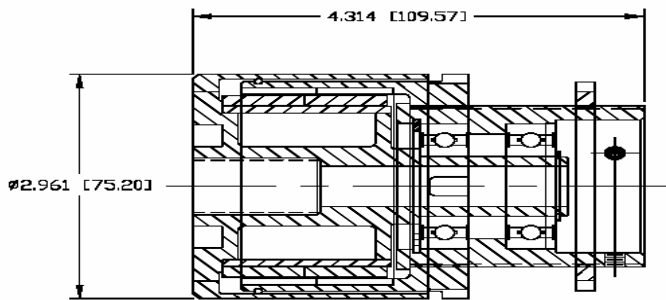




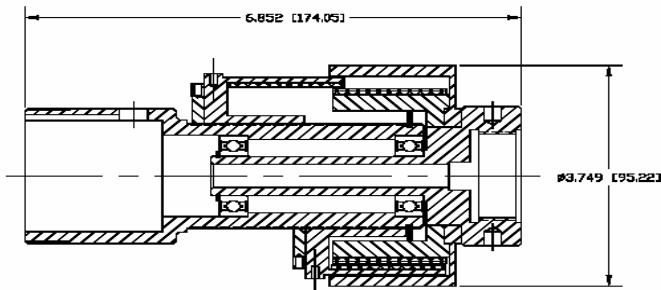
HSV SERIES
HYSTERESIS TYPE

PERMANENT-MAGNET BOTTLE CAPPING CLUTCH

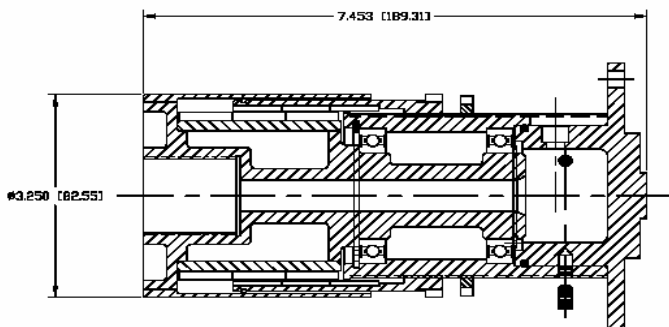
HSV Bottle capping Clutches have a fully adjustable torque up to 9 Nm (80 lbin) with an accurate repeatability. Low inertia version available, which will keep repeat torque variance to less than 0.4 Nm (3-4 lbin) at high speeds. HSV clutches are all stainless steel construction, and completely corrosion free. Also resistant to vaporized hydrogen peroxide, oxidized water with high ozone content. The three most popular HSV designs are provided, however all HSV clutches can be custom designed to fit your unique requirements.



Bottle Capping Clutch - HSV 3 (3Nm/26-27 lbin)



Bottle Capping Clutch - HSV 4.5 (4.5 Nm/40 lbin)



Bottle Capping Clutch - HSV 9 (9 Nm/80 lbin)

